

DH-IPC-HFW3110

1.3Megapixel HD IR Network Camera



Features

- 1/3" 1.3Megapixel progressive scan SONY CCD
- H.264 & MJPEG dual-stream encoding
- Max 12/15fps@1.3M(1280×960)&25/30fps@720P(1280x720)
- Day/Night(ICR), 2DNR, Auto iris, AWB, AGC, BLC
- Multiple network monitoring: Web viewer, CMS(DSS/PSS) & DMSS
- 8~20mm varifocal lens
- Built-in 2/1 alarm in/out
- Max. IR LEDs length 50m
- Micro SD memory, IP66

DH-IPC-HFW3110

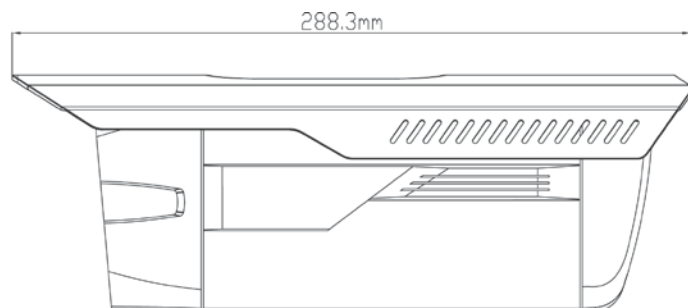
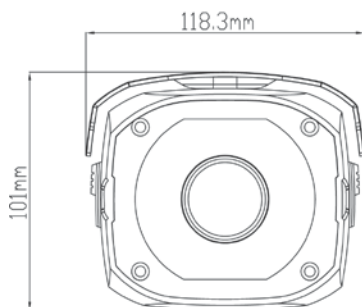
Technical Specifications

Model		IPC-HFW3110P	IPC-HFW3110N
Camera			
Image Sensor		1/3" 1.3Megapixel PS CCD	
Effective Pixels		1280(H)x960(V)	
Scanning System		Progressive	
Electronic Shutter Speed		Auto/Manual,1/50~1/10000s	Auto/Manual, 1/60~1/10000s
Min. Illumination		0. 2Lux/F1.6 (Color), 0.01Lux/F1.6(B/W), 0Lux(IR on)	
S/N Ratio		>50dB	
Video Output		1 channel, BNC(1.0Vp-p, 75Ω)	
Camera Features			
Max. IR LEDs length		50m	
Day/Night		Auto(ICR) / Color / B/W	
Backlight Compensation		BLC / HLC / DWDR	
White Balance		Auto	
Gain Control		Auto/Manual	
Noise Reduction		2D	
Privacy Masking		Up to 4 areas	
Lens			
Focal Length		8~20mm	
Max Aperture		F1.6	
Focus Control		Manual	
Angle of View		H: 50° (Wide)~26°(Tele),	
Lens Type		Manual / Auto Iris (DC)	
Mount Type		CS	
Video			
Compression		H.264 / MJPEG	
Resolution		1.3M(1280×960) / 720P(1280×720) D1(704×576) / CIF(352×288)	1.3M(1280×960) / 720P(1280×720) / D1(704×480) / CIF(352×240)
Frame Rate	Main Stream	1.3M(1~12fps) /720P(1 ~ 25fps)	1.3M(1~15fps) /720P(1 ~ 30fps)
	Sub Stream	D1/CIF(1 ~ 25/30fps)	
Bit Rate		H.264: 32K ~ 8192Kbps, MJPEG: 32K ~ 10240Kbps	
Audio			
Compression		G.711a / G.711u(64kbps) / PCM(128kbps)	
Interface		1/1 channel In/Out	
Network			
Ethernet		RJ-45 (10/100Base-T)	
Protocol		IPv4/IPv6, HTTP, HTTPS, SSL, TCP/IP, UDP, UPnP, ICMP, IGMP,	

DH-IPC-HFW3110

	SNMP, RTSP, RTP, SMTP, NTP, DHCP, DNS, PPPOE, DDNS, FTP, IP Filter, QoS, Bonjour
ONVIF	ONVIF Ver. 2.0
Max. User Access	10 users
Smart Phone	iPhone, iPad, Android, Windows Phone
Auxiliary Interface	
Memory Slot	SD, Max 32GB
Alarm	2/1 channel In/Out
General	
Power Supply	DC12V(AC24 optional)
Power Consumption	<15W
Working Environment	-10°C~+60°C, 10%~90%
Dimensions(W×D×H)	118.3mm×288.3mm×101mm
Weight	2.5Kg

Dimensions (mm)



Dahua Technology Co., Ltd.

1187 BinAn Road, Binjiang District, Hangzhou, China

Tel: +86-571-87688883

Fax: +86-571-87688815

Email:overseas@dahuatech.com

www.dahuatech.com

*Design and specifications are subject to change without notice.

© 2012 Dahua Technology Co., Ltd.